

# HEATED HOLDING CUBBY

NEW MODEL: HHS-214-1817-4CDR

# PERFORMANCE FEATURE SHEET

**Individual cubbies** separate orders for easy identification. Optional see-thru Lexan doors available for simplified cubby labeling

**Pass-thru operation** for easy loading and unloading of orders from either the food production or customer facing side

**Clear pick-up location** eases in-store customer traffic and prevents bottlenecks

**No costly software or contracts.** Simple, streamlined design means you never get "locked out" of your orders, and no smartphones required!

**Flexible design** allows for custom sizing to suit your operation's available space, packaging, and numbering system. Freestanding, countertop, and wall-mount options are also available to make the best use of your space



**Concealed adjustable thermostat controller** is secured inside the unit behind a removable panel for consistent operation without staff intervention

**Powder-coating** option is available in a variety of colors to customize the look and elevate your design



**Blanket Elements** deliver precise and consistent radiant heat, eliminating hot and cold spots. Gentle radiant heat system works well with almost any to-go packaging

**Adjustable legs** for proper placement on uneven flooring. Available with flanged feet

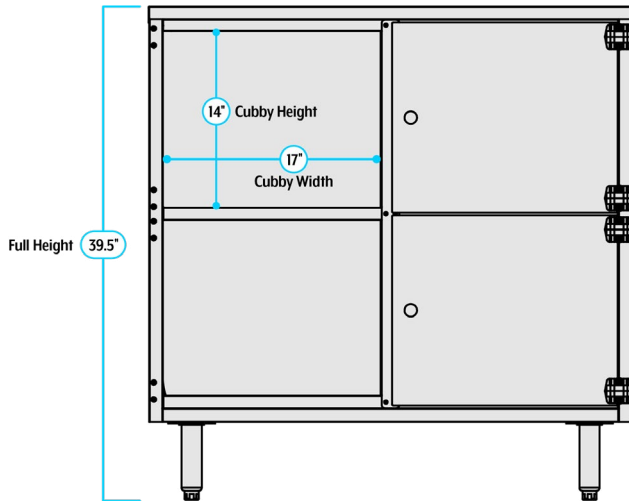
## MODEL: HHS-214-1817-4CDR

(Shown with optional accessory see-thru Lexan doors.)

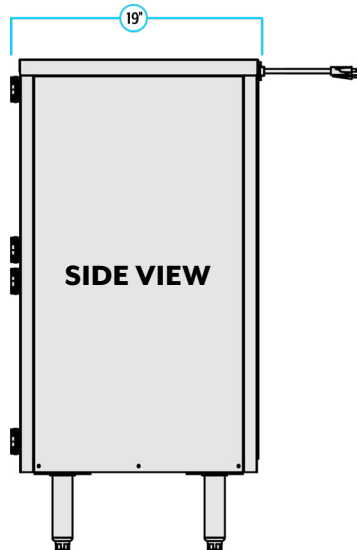


## HHS-214-1817-4CDR SPECIFICATIONS

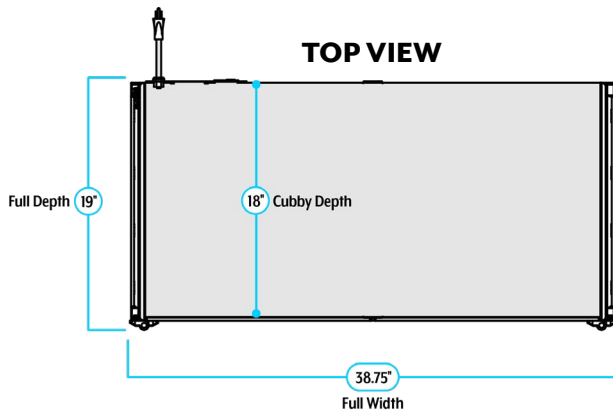
### FRONT VIEW



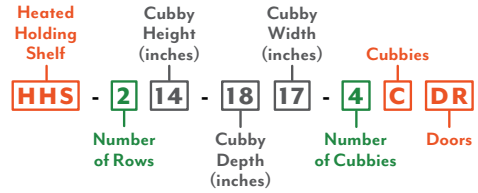
### SIDE VIEW



### TOP VIEW



### MODEL NOMENCLATURE:



### ELECTRICAL DATA:

Volts: 120  
 Watts: 694  
 Amps: 5.8  
 Hertz: 50/60  
 Phase: Single  
 (Data will vary by size.)



US: 5-15P



CAN: 5-15P

### CUBBIES:

4 18" Deep, 17" Wide, 14" High  
 (457mm D, 431mm W, 355mm H)

### DIMENSIONS:

Height: 39.5" (1003mm)  
 Depth: 19" (482mm)  
 Width: 38.75" (984mm)

### CRATED WEIGHT:

215lbs (98kg)

### OPTIONAL ACCESSORIES:

- Lexan Doors (Add DR)
- Individual Power Switches Per Shelf (Add IS)
- Custom Sizing (Consult Factory)
- Powder Coating
- Graphic Wrap (Top, Sides, and Lexan)
- Custom Door Labeling