



OPERATING INSTRUCTIONS

ADJUSTABLE UPRIGHTS

ETC SERIES CABINETS



FWE Parts Department:
www.FWEparts.com

Phone: 815 459 7500

FAX: 815 459 7989

Description of the ETC Adjustable Upright Assembly

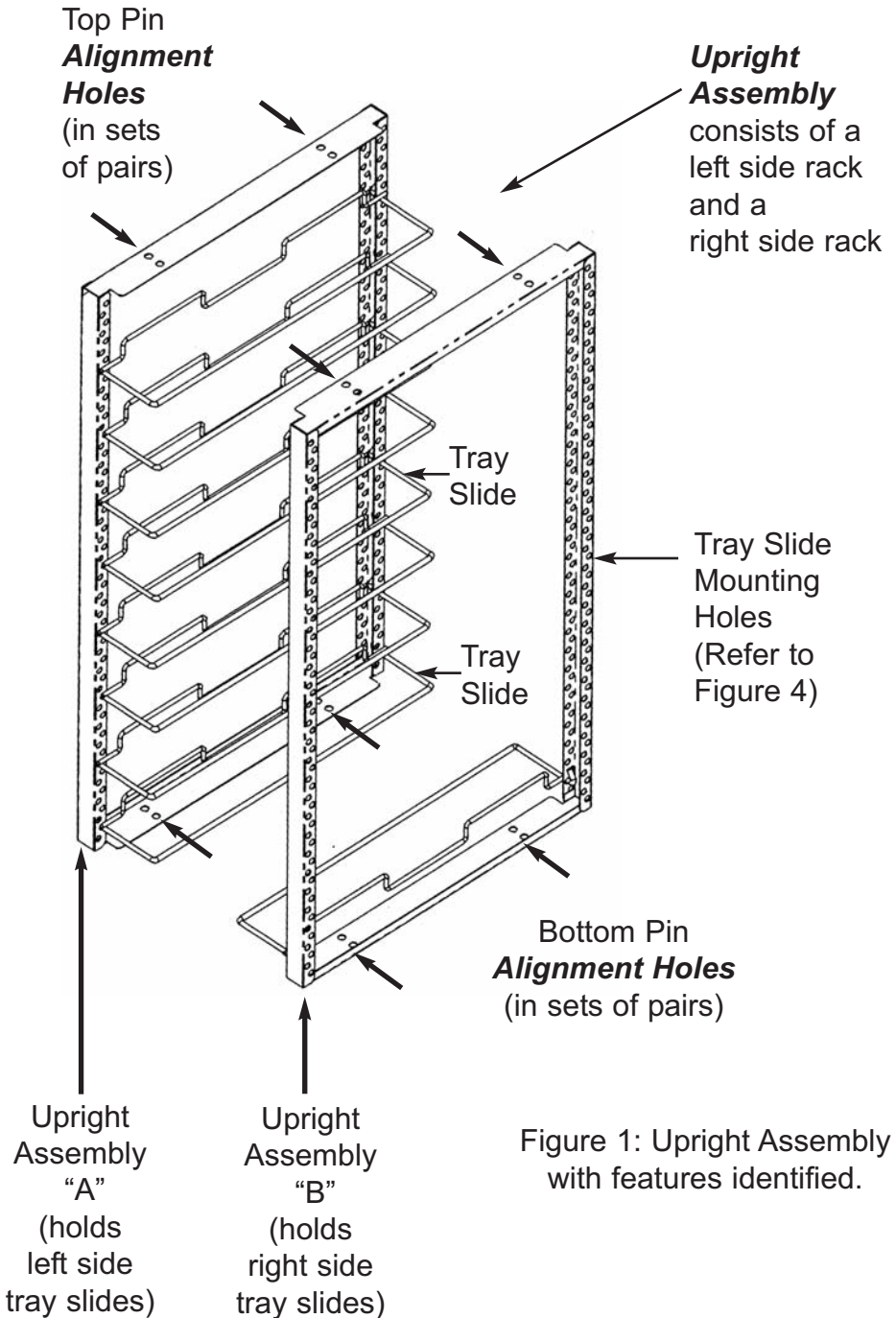


Figure 1: Upright Assembly with features identified.

ETC Adjustable Upright Assembly Mounts to Top and Bottom Alignment Pins

Alignment Pins are mounted at the inside top panel and at the inside bottom floor of each compartment, having four (4) **Alignment Pins** total per each set of uprights. (Location of the bottom **Alignment Pins** is shown in Figure 2.)

Position each Upright Assembly to fit your tray size by choosing a set of **Alignment Holes**. (See Figure 3 on the following page for tray sizes and positions.)

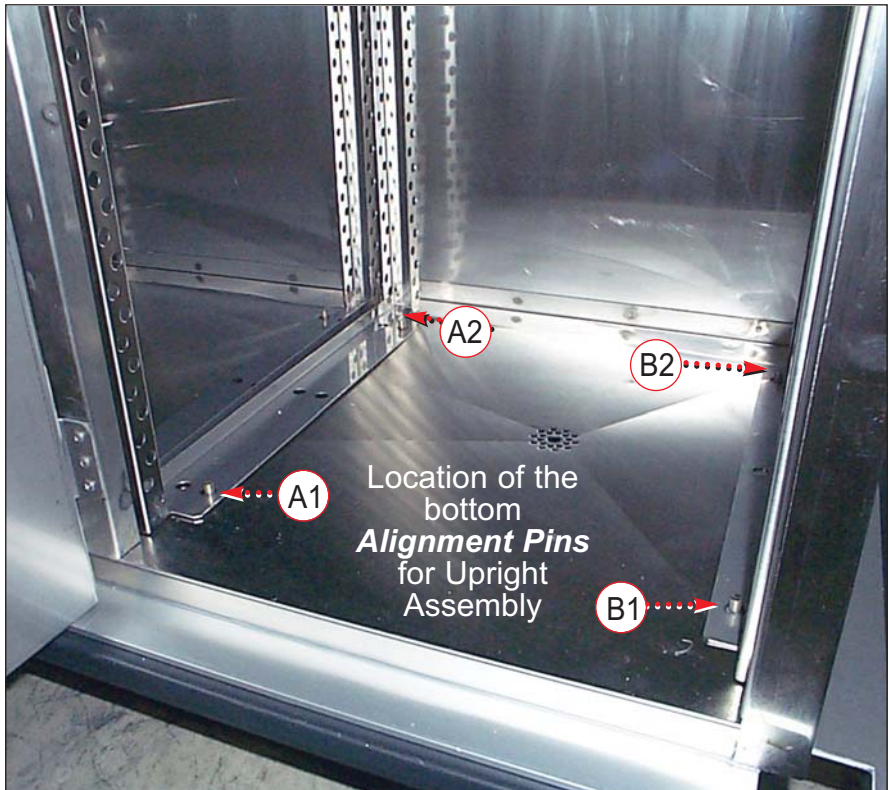
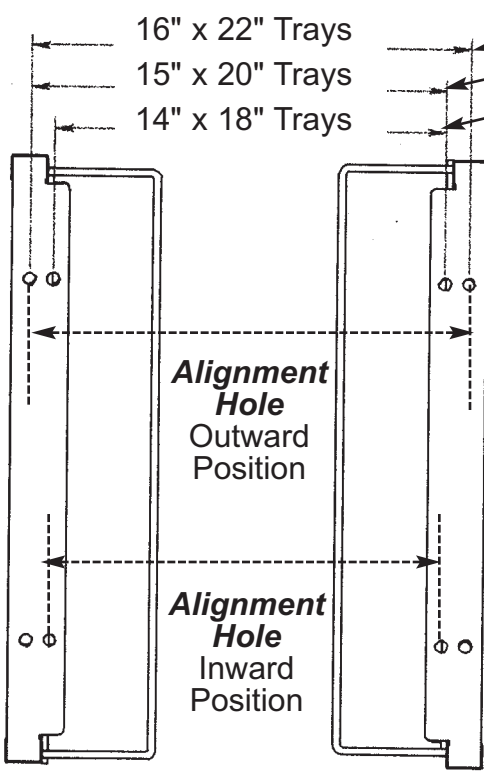


Figure 2: Upright Assembly is mounted to cabinet **Alignment Pins**, with the location of the bottom pins detailed.

Choosing the Position of your Upright Assembly to fit your tray size:

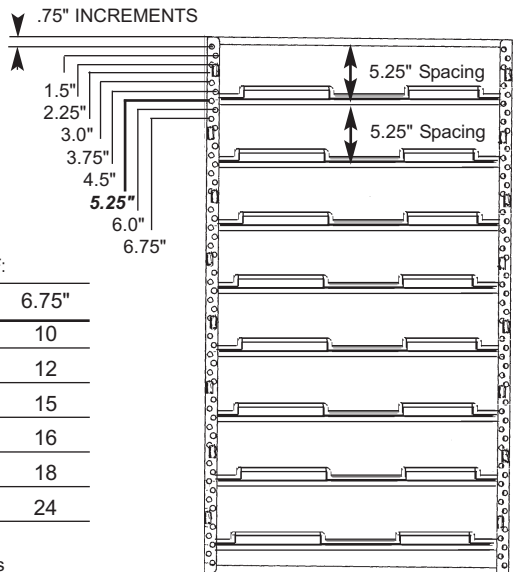


- ① Both uprights located in outward position.
- ② One upright in outward position, one upright in inward position.
- ③ Both uprights located in inward position.

Figure 3: Place uprights to meet your tray size by positioning the outward or inward **Alignment Holes** upon the **Alignment Pins**.

Spacing the Tray Slides to meet your capacities:

Tray Slides can be positioned at a choice of .75" increments for greater flexibility.



MODEL NUMBER	TRAY CAPACITIES AT SPACINGS OF:					
	3"	3.75"	4.5"	5.25"	6"	6.75"
ETC-12	20	16	14	12	10	10
ETC-16	28	22	18	16	14	12
ETC-18	30	24	21	18	15	15
ETC-20	34	28	24	20	18	16
ETC-24	42	33	27	24	21	18
ETC-30	51	42	36	30	27	24

Sets of tray slides are provided for 5.25" spacings to meet these capacities.

Figure 4: Side View of ETC-16.