



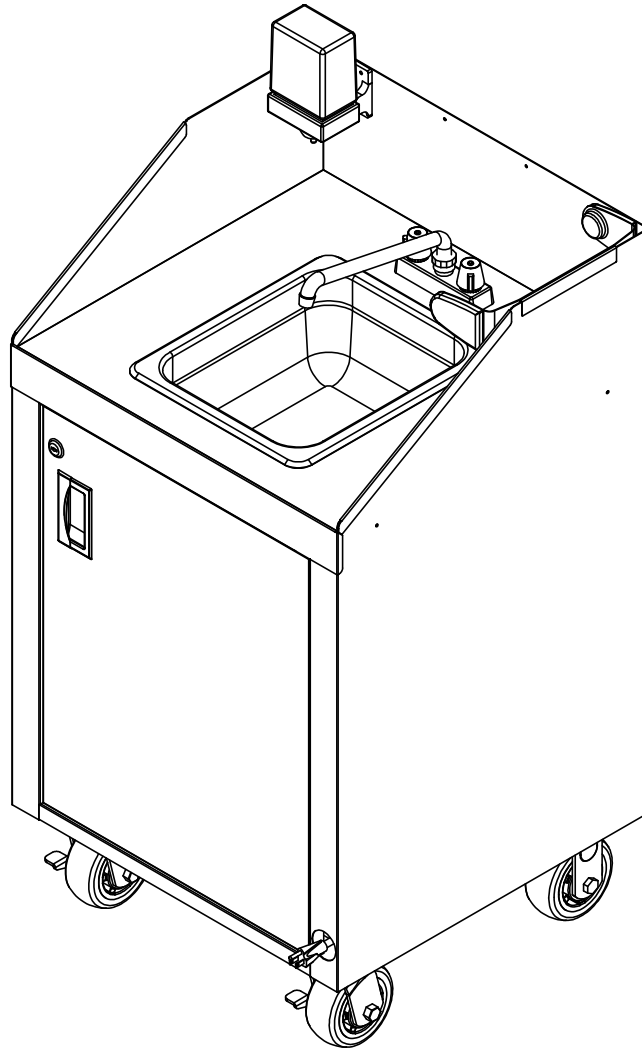
5599 Highway 31 West
Portland, TN 37148
(800) 222-4393

HS-24

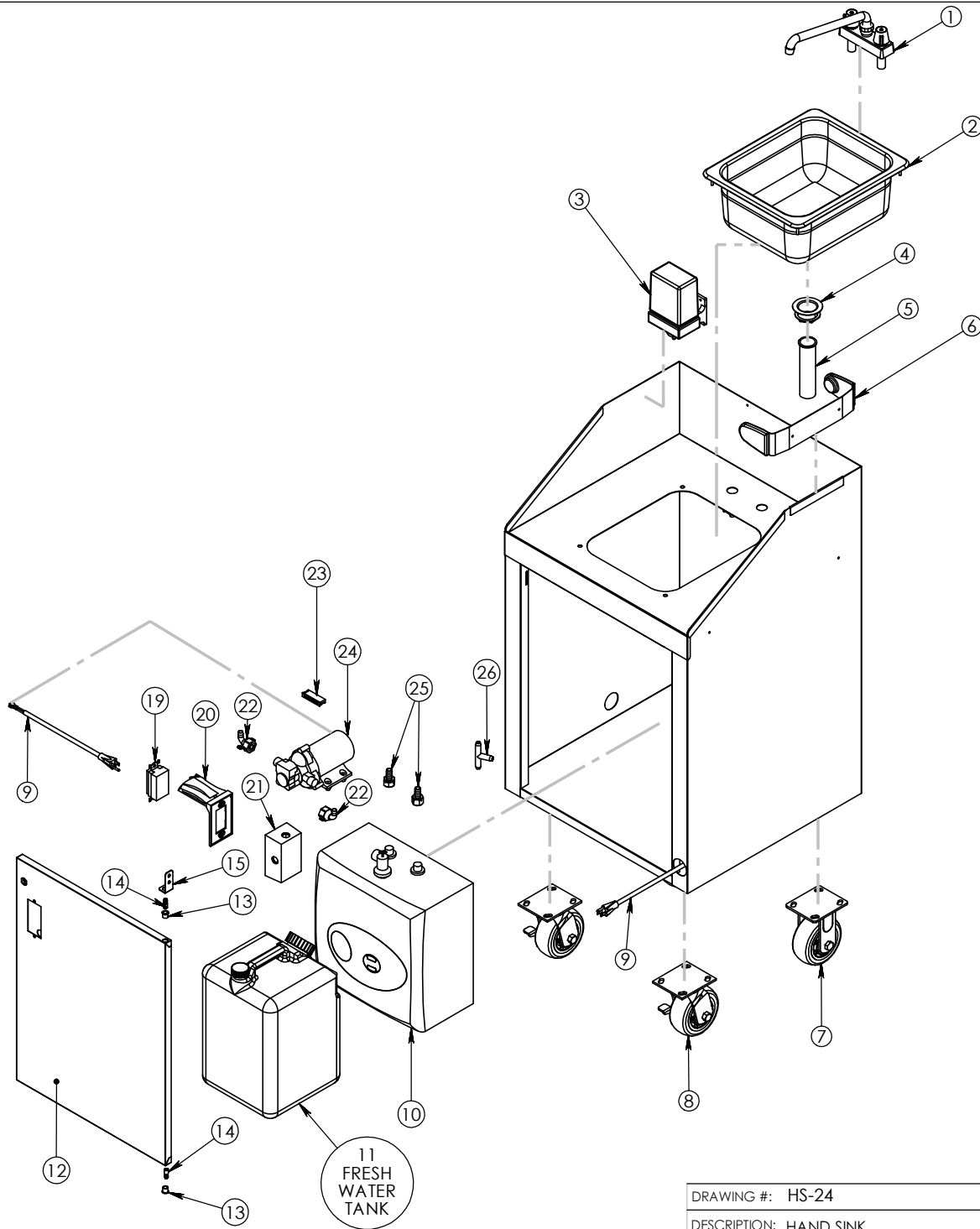
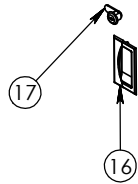
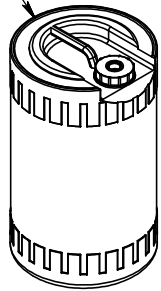
Pg.1TITLE PAGE

Pg.3HS-24 BOM

Pg.2HS-24 EXPLODED



18
WASTE
WATER
TANK



11
FRESH
WATER
TANK

DRAWING #: HS-24

DESCRIPTION: HAND SINK

DRAWN BY: DP

LAST SAVED BY: DONNIE PLODZIEN

ITEM NO.	QTY.	PART NO.	DESCRIPTION
1	1	FAUCET-BAR	4" DECK FAUCET, 10" SWIVEL SPOUT
2	1	SNK 1513SS	SINGLE BOWL SS SINK 15.75X13X6
3	1	SOAP DISPENSER	SOAP DISPENSER FOR HAND SINK
4	1	DRN BRSK	DRAIN BAR SINK 1.5 ISP
5	1	DRN TAIL PIECE	1-1/2 X 6 FLANGED TLPC, POLYPRO
6	1	PAPER TOWEL HOLDER	PAPER TOWEL HOLDER FOR HAND SINK
7	2	CSTR 52-R-PPF	CASTER 5X2" EZ ROLL RIGID POLY BLUE
8	2	CSTR 52-SB-PPF	CASTER 5X2" EZ ROLL SWIVL POLY BLUE
9	2	CRDSET15-115	CORD 12' 115V 5-15P 14GA 3WR 15AMP
10	1	WATER HEATER NSF	2.5 GAL POINT OF USE WTR HTR, 120V
11	1	PAIL HDPE 1 (FRESH WATER TANK)	CLOSED HEAD HDPE PAIL, 5 GALLON
12	1	Z-301-4434 INCLUDES (13-17)	HS-24 DOOR ASSY FLSH GRIP LCK
13	2	BEARING-SLV-3-8 DIA	BRONZE FLANGED SLEEVE BEARING 3/8"D
14	2	PIN DOOR	5/16 X 18 X 1" PIN W/SLOT 18-8 SS
15	1	69736	HS-24 PIN HINGE BRACKET
16	1	PL-FLSH-FLGRP	RECESSED DOOR PULL WITH FULL GRIP
17	1	CAM-LCK-90LH	CAM LOCK 90LH 3/4 DIA KEY C346A
18	1	PAIL HDPE 2 (WASTE WATER TANK)	CLOSED HEAD HDPE PAIL, 7 GALLON
19	1	PLG-REC-5-20R-GFI	20 AMP 120V GFCI RECEPTICLE
20	1	JCT BOX COVER-WATER TIGHT	WEATHERPROOF COVER FOR OUTLET BOX
21	1	JCT BOX-WATER TIGHT	WEATHERPROOF OUTLET BOX
22	2	HOSE-FIT-SWIVEL-90	ELBOW 1/2 NPT (FEMALE) X 1/2 BARB
23	1	CATCH MAGNETIC	MAGNETIC CATCH RECT SNAP-IN
24	1	PUMP WATER 1	WATER PUMP ACH/BAR
25	2	ADPTR BRASS FEMALE 1-2	ADAPTER 1/2" HOSE ID 1/2" NPTF BRASS
26	1	TEE .500 BARBED	BARBED TEE FITTING FOR 1/2" ID TUBE

DRAWING #: HS-24

DESCRIPTION: HAND SINK