



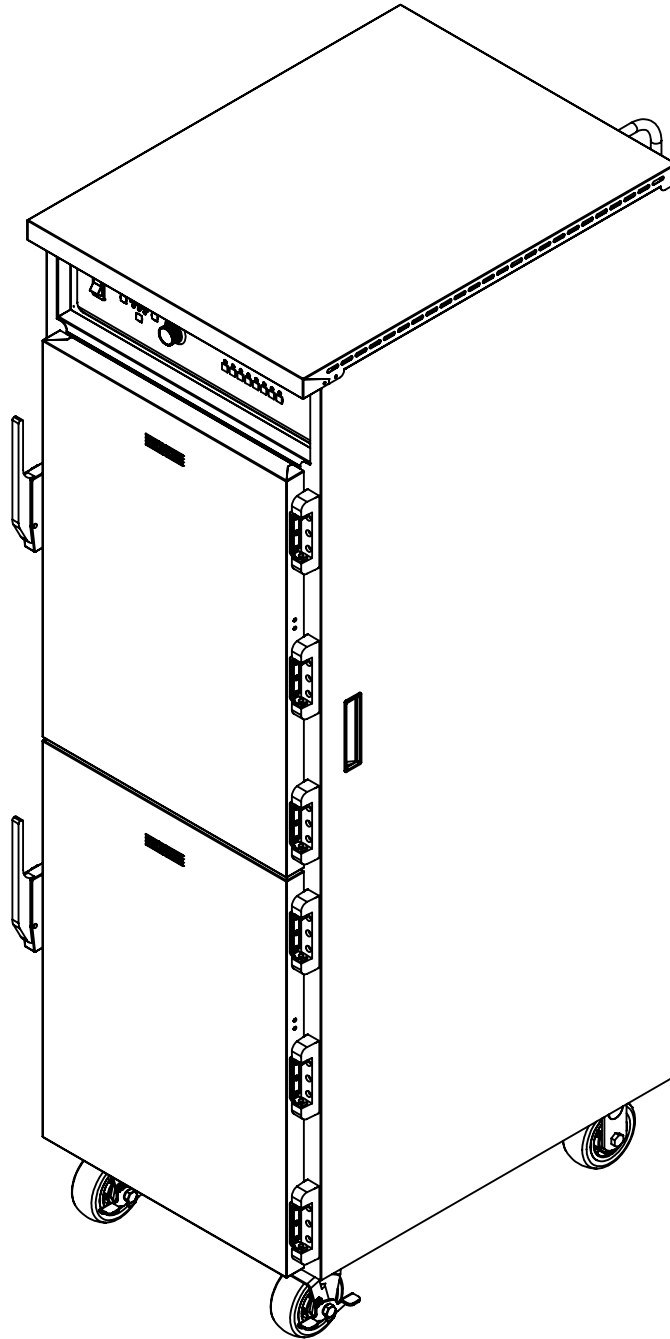
5599 Highway 31 West  
Portland, TN 37148  
(615)325-2774

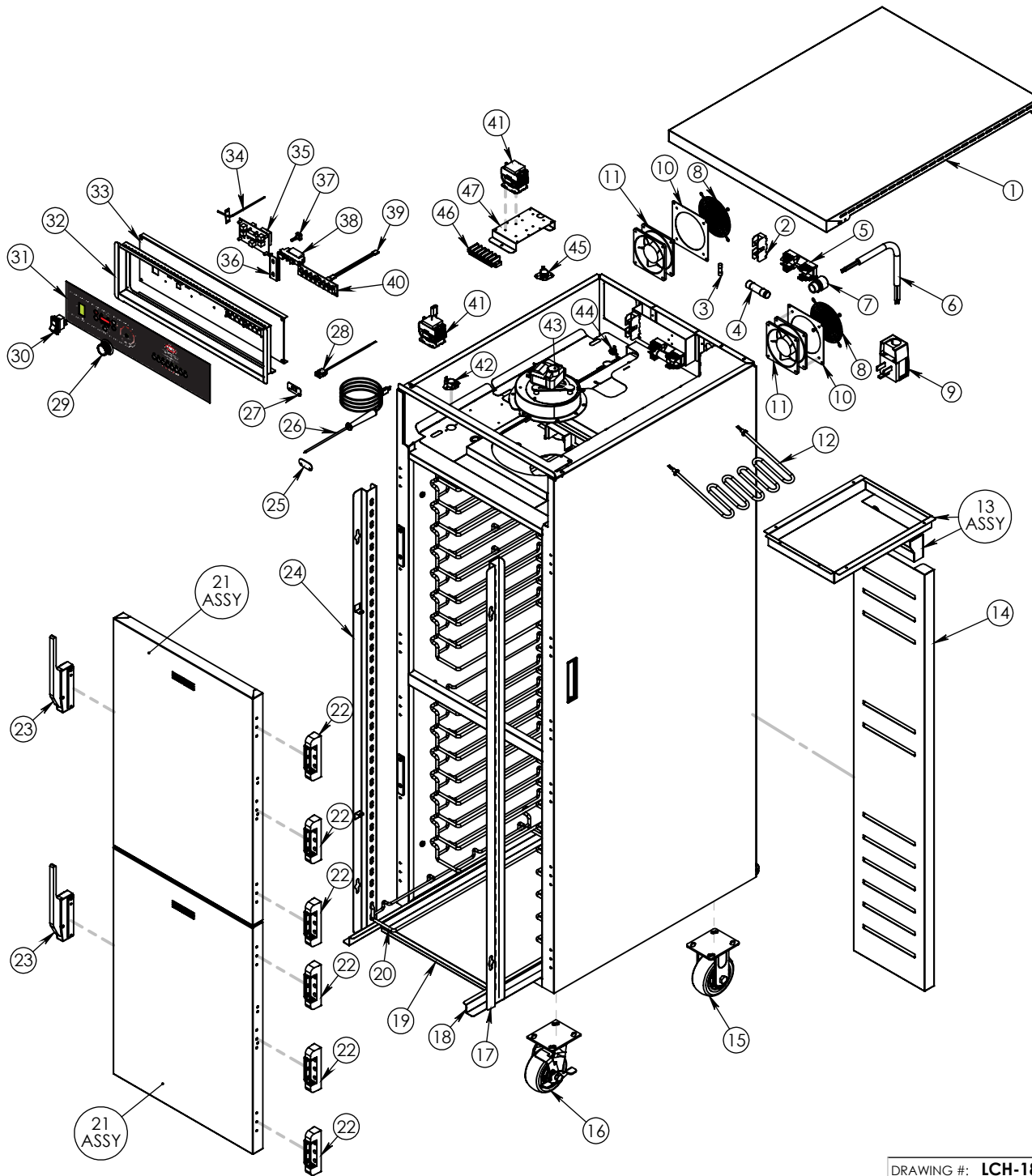
# LCH-1826-18

Pg.1 .....Title Page

Pg.3 .....LCH-1826-18 BOM

Pg.2 .....LCH-1826-18





DRAWING #: <b>LCH-1826-18</b>	
DESCRIPTION: <b>LCH - LOW TEMP COOK AND HOLDS</b>	
DRAWN BY: DP	LAST SAVED BY: dplodzien

ITEM NO.	QTY.	PART NO.	DESCRIPTION
1	1	23724	OUTSIDE TOP
2	2	FSHLDR-MID-30-1	FUSE HOLDER 30 AMP MIDGET
3	2	FS-LP-MID-10AMP	FUSE 10 AMP LOW PEAK MIDGET
4	2	FS 40 RTHRM	FUSE RETHERM 40 AMP/250V
5	2	FSHLDR-60AMP	FUSE BLOCK 60 AMP
6	1	CRD 10-3	CORD SO 10-3 600V BLK
7	1	CRD GRIP .625X.75 -.75	CORD GRIP 5/8-IN .625 - .750 CONN
8	2	GRD FAN EBM 4000	GUARD FAN EBM 4000
9	1	PLG LTO	PLUG 50A/250V HBL#9368 6-50P
10	2	52840	BRACKET MOTOR MNT FAN BLOW
11	2	FAN BLOW RTH	COOLING FAN MOTOR TUBE AXIAL 220V
12	3	EL2000-220HT	ELEMENT 2000 WATT 220 VOLT 8" HT
13	1	Z-600-5209	LCH-1826-18 BOTTOM HEAT COVER ASSY
14	1	68652	TUNNEL
15	2	CSTR 52-R-PPF	CASTER 5" RIGID EZ ROLL POLY
16	2	CSTR 52-SB-PPF	CASTER 5" SWIVEL BRAKE EZ ROLL POLY
17	3	57248	UPRIGHT
18	2	58558	LCH DRIP PAN BRACKET
19	1	54489	DRIP PAN 1"
20	36	SLD TS245	TRAY SLIDE NICKEL PLATED 18X26
21	2	Z-301-2845 (INCLUDES 23 & 24)	DR EDG/MAG VNTD RH-FR
22	6	HNG-217	DOOR HINGE EDGEMOUNT 1.375" REF
23	1	LTH DR MAG-RH	DOOR LATCH EDGEMOUNT BLACK MAGNETIC
24	1	57249	UPRIGHT PROBE MOUNT
25	1	82812	MEAT PROBE CUT OUT COVER PLATE
26	1	PRB MT RTD	RTD MEAT PROBE
27	1	67125	PROBE THERMO COUPLE MOUNTING BRKT
28	1	PRB RTD 36	RTD THERMOCOUPLE ASSY 36"
29	1	KNB H6 SS	KNOB WITH ARROW AND SET SCREW
30	1	SWH RCK E1	SWITCH NON-LT ROCKER 125/250V 20AMP

31	1	CNTRL PNL S-LCH-PRGM	LCH OVERLAY SINGLE CAVITY PROGRAM
32	1	54487	CONTROL PANEL
33	1	83092	MWAVE CONTROL PANEL LCH E1
34	1	PRB RTD	RTD TEMPERATURE PROBE
35	1	CNTRL BRD LCH PRGM 240	CONTROL BOARD PROGRAMABLE 240V LCH
36	1	81562	DIN RAIL 3.00
37	1	CNTRL PNL ENCODER	ENCODER FOR LCH CONTROLLER
38	1	RLY 12	SSR OP 12V
39	1	CBL LCH 17	CNTRL BRD LCH PRGM CABLE 17"
40	1	CNTRL BRD LCH PRGM 8	8 BUTTON PREST CNTRL BRD W 8 GR LED
41	2	CONTACT-2POLE-50 AMP RES	CONTACTOR 2 POLE 50AMP RESISTIVE
42	1	SNAP DISC 210-250	HI-LIMIT SWITCH NC
43	1	Z-600-2065	MOTOR BLWR ASSEM 115/230 REV
44	1	HI-LIMIT 500 DEG	HI-TEMP SNAP DISC 500 DEG. F
45	1	SNAP DISC 150-130	COOL DOWN SNAP DISC F150 OPEN RISE
46	1	TRM BLK RTH	TERMINAL BLOCK -6 POLES
47	1	50623	CONTACT-2 POLES MOUNTING PLATE



DRAWING #: **LCH-1826-18**

DESCRIPTION: **LCH - LOW TEMP COOK AND HOLDS**

DRAWN BY: DP

LAST SAVED BY: dplodzien