



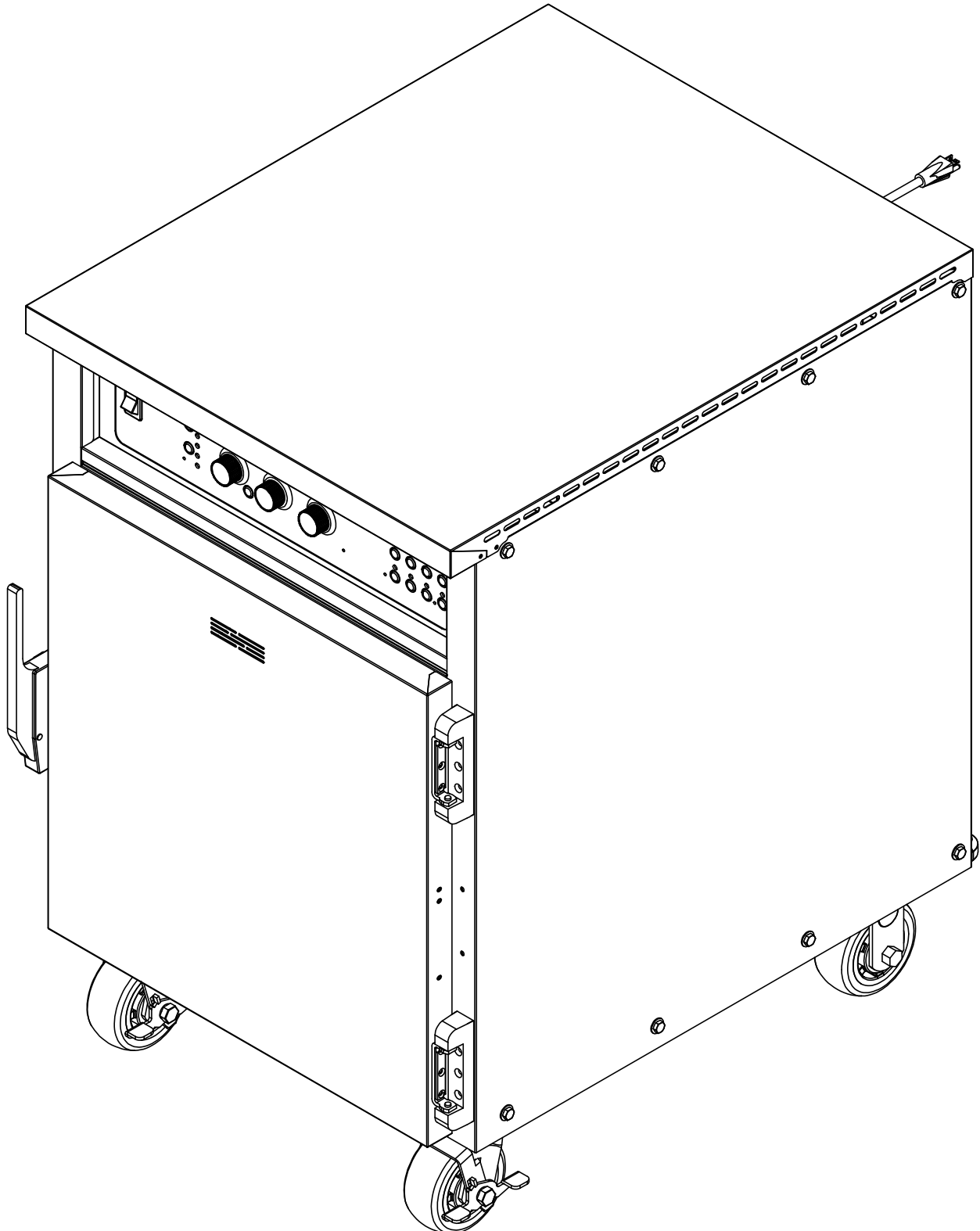
5599 Highway 31 West
Portland, TN 37148
(615) 325-2774

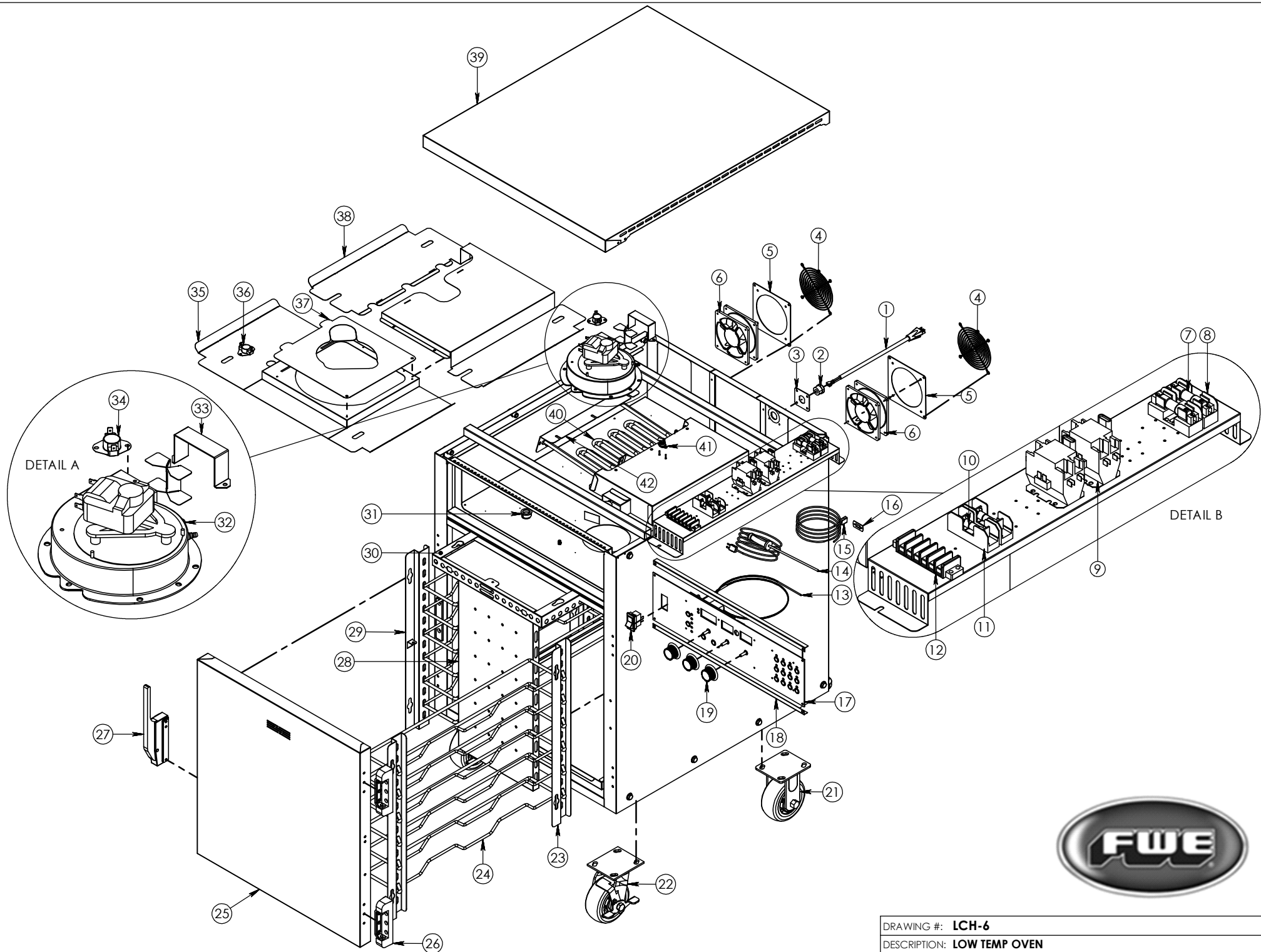
LCH-6

Pg.1Title Page

Pg.3LCH-6 BOM

Pg.2LCH-6





DRAWING #: LCH-6	
DESCRIPTION: LOW TEMP OVEN	
DRAWN BY: JR	LAST SAVED BY: jreyes

ITEM NO.	QTY.	PART NO.	DESCRIPTION
1	1	CRDSET10-220-12-3	12-3 SJTO 12FT CORD 220V PLUG 6-20
2	1	CRD GRIP .625X.75 -.75	CORD GRIP 5/8-IN .625 - .750 CONN
3	1	50053	20AMP CORD BRACKET
4	2	GRD FAN EBM 4000	GUARD FAN EBM 4000
5	2	52840	LCH FAN MOUNTING PLATE
6	2	FAN BLOW RTH	TUBE AXIAL FAN 220V
7	2	FS-FRN-R20	FUSE 20 AMP 250V RK5 TD FUSE
8	1	FSHLDR-30AMP-LCH	HKP FUSEHOLDER 30 AMP LCH
9	2	CONTACT-2POLE-208-240-40	CONTACTOR 2 POLE 208-240-40
10	7	FS-LP-MID-10AMP	FUSE 10 AMP LOW PEAK MIDGET (LP-CC)
11	1	FSHLDR-MID-30-1	HKP FUSEHOLDER 30 AMP LCH
12	1	TRM BLK RTH	TERMINAL BLOCK RTH
13	2	SENSOR - RTH	TEMPERATURE SENSOR - RTH
14	1	PRB MT	MEAT PROBE
15	1	PRB THERMOCOUPLE	THERMOCOUPLE
16	1	52505	LCH THERMOSTAT MOUNTING BRACKET
17	1	CNTRL RETHERM PRGM	CONTROLLER PROGRAMABLE RETERM
18	4	51157	CONTROL PANEL MOUNT ANGLE
19	3	KNB H7	KNOB CONTROL ALUMINUM SKIRT SILVER
20	2	SWH RCK E1	SWITCH NON-LT ROCKER 125/250V 20AMP
21	2	CSTR 52-R-PPF	CASTER 5X2" EZ ROLL RIGID POLY BLUE
22	2	CSTR 52-SB-PPF	CASTER 5X2" EZ ROLL SWIVL POLY BLUE
23	3	51756	LCH-6 UPRIGHT
24	12	SLD RH 245	RH-245 TRAY SLIDE
25	1	Z-301-1657 (INCLUDES PARTS 26, 27)	LCH-6 DOOR ASSEMBLY EDG/MAG RH
26	2	HNG-217	HINGE REFG DR CRM 1.375
27	1	LTH DR MAG-RH	LATCH OFFSET COMPOSITE, BLACK
28	1	53823	LCH-6 BACK TUNNEL
29	1	54490	LCH-6 UPRIGHT WITH PROBE MOUNT
30	1	53822	LCH BLOWER BAFFLE COVER
31	1	BSH 1	HEYCO BUSHING 1 INCH
32	1	Z-600-2465	BLWR-REV-115-230 CUT OUT
33	1	53916	BLOWER END SEAL CAP
34	1	SNAP DISC 150-130	COOL DOWN SWITCH NO F150
35	1	53820	LCH-6 INSIDE TOP INSUL COVER
36	1	SNAP DISC 210-250	HIGH LIMIT SWITCH NC L250
37	1	54615	TOP BLOWER ACCESS PLATE
38	1	54610	LCH-6 TOP ELEM HOUSING INSUL HOLDER
39	1	22565	LCH-6 CE OUTSIDE RIGHT
40	2	EL1750-220HT	HEAT ELEMT 1750W/220V
41	1	HI-LIMIT 500 DEG	HI-TEMP SNAP DISC 500 DEG. F
42	1	54606	DUAL ELEMENT MOUNTING PLATE



DRAWING #: LCH-6	
DESCRIPTION: LOW TEMP OVEN	
DRAWN BY: JR	LAST SAVED BY: jreyes