



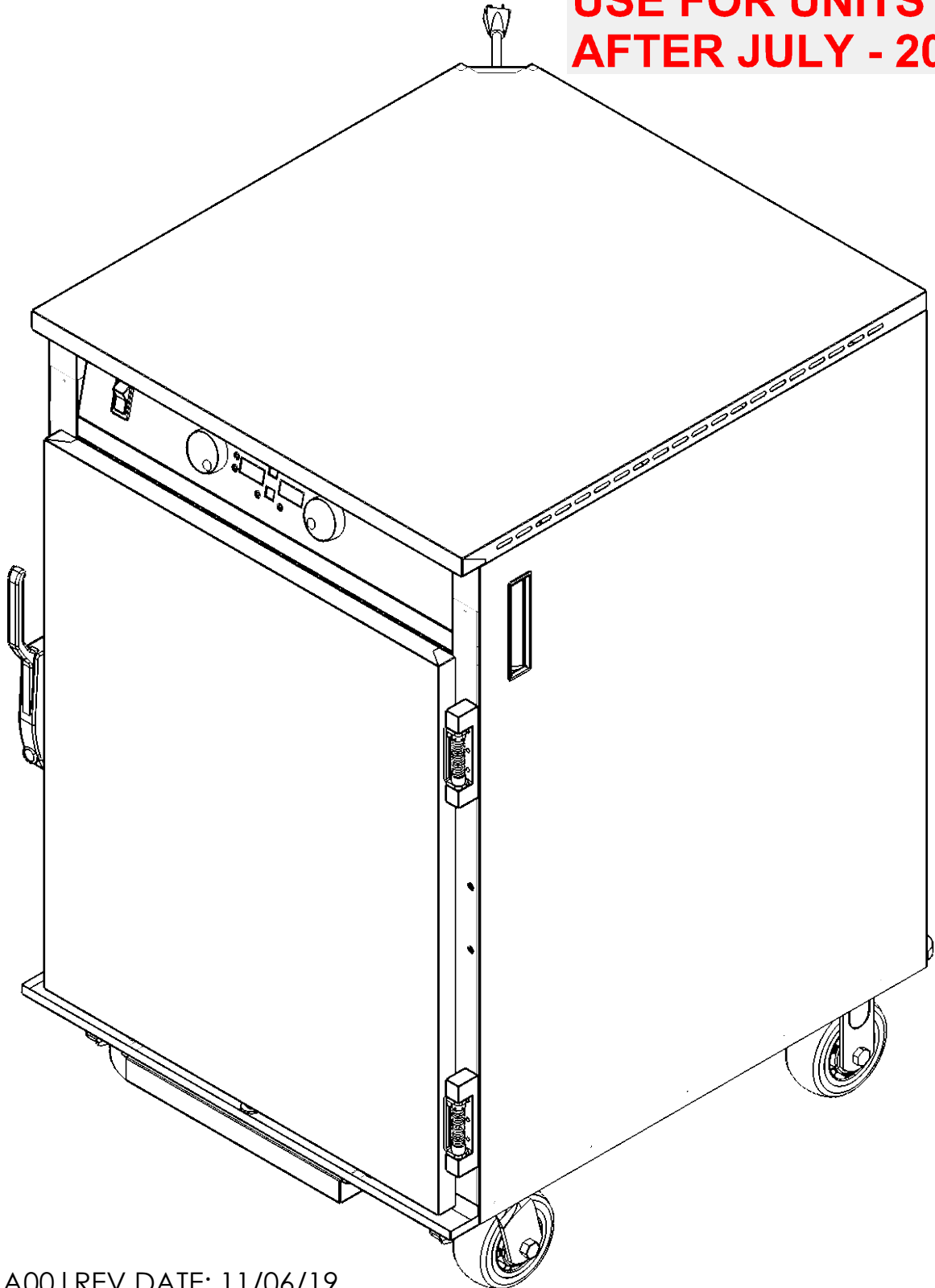
5599 Highway 31 West  
Portland, TN 37148  
(615) 325-2774

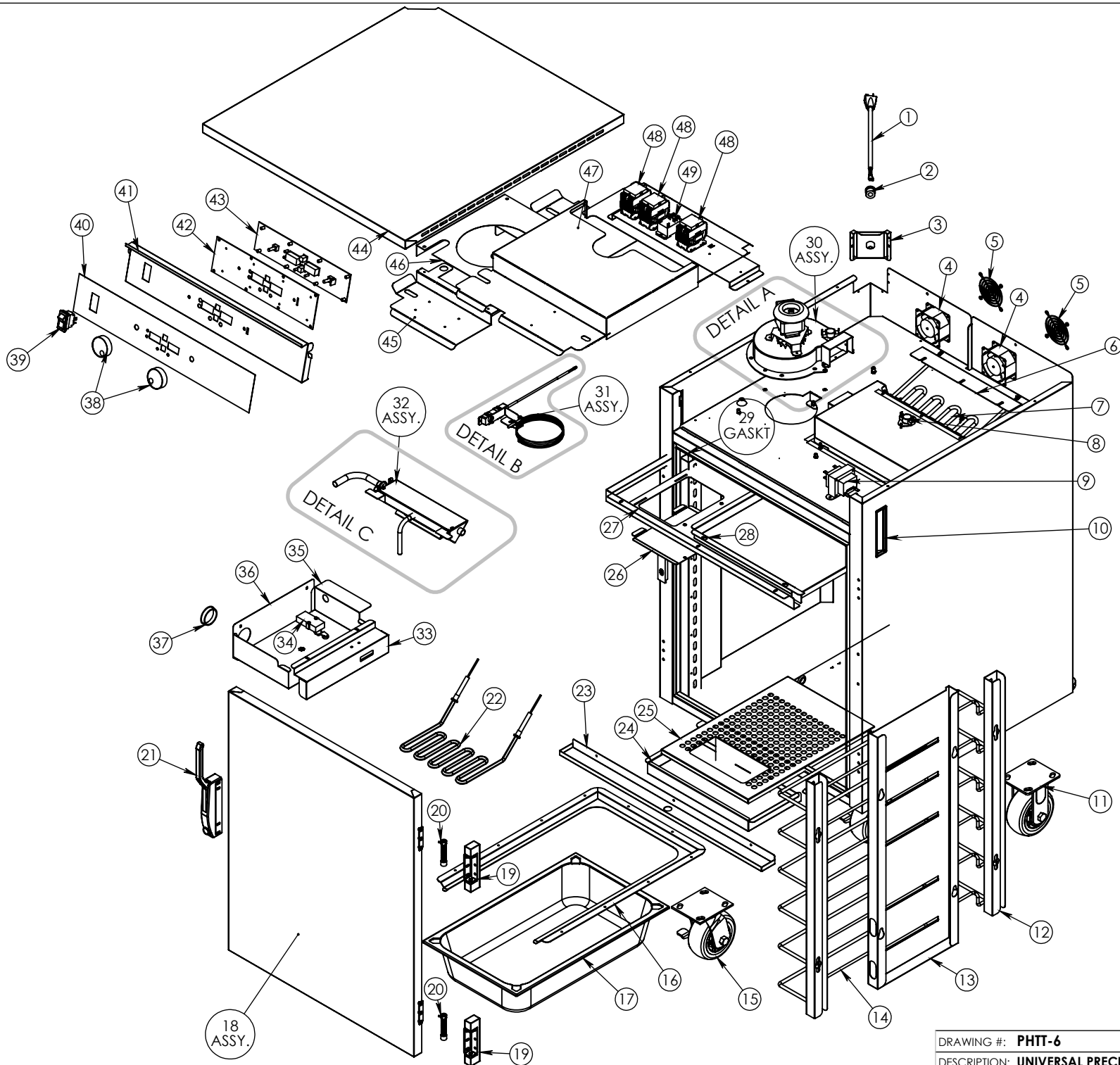
# PHTT-6

Pg.1 .....Title Page    Pg.3 ..... Detail

Pg.2 .....PHTT-6        Pg.4 .....PHTT-6 BOM

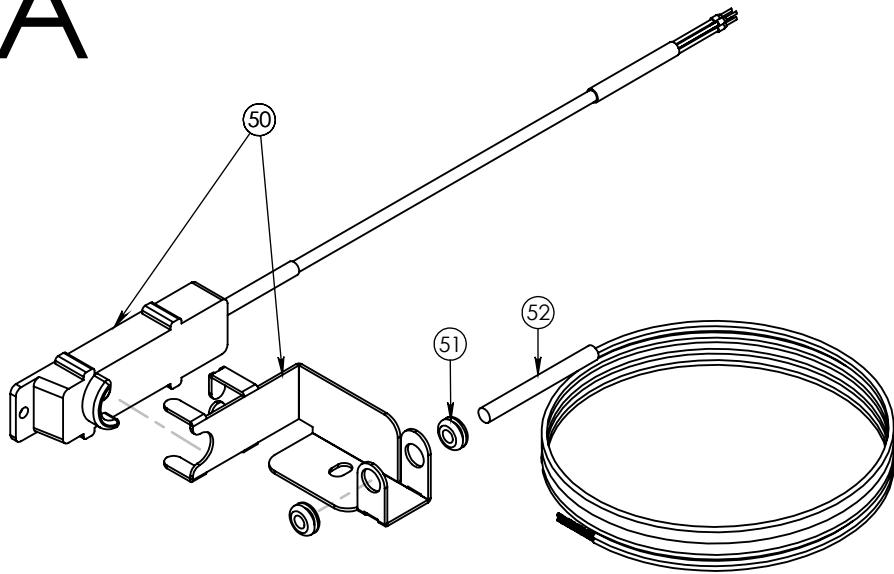
**USE FOR UNITS BUILT  
AFTER JULY - 2019**



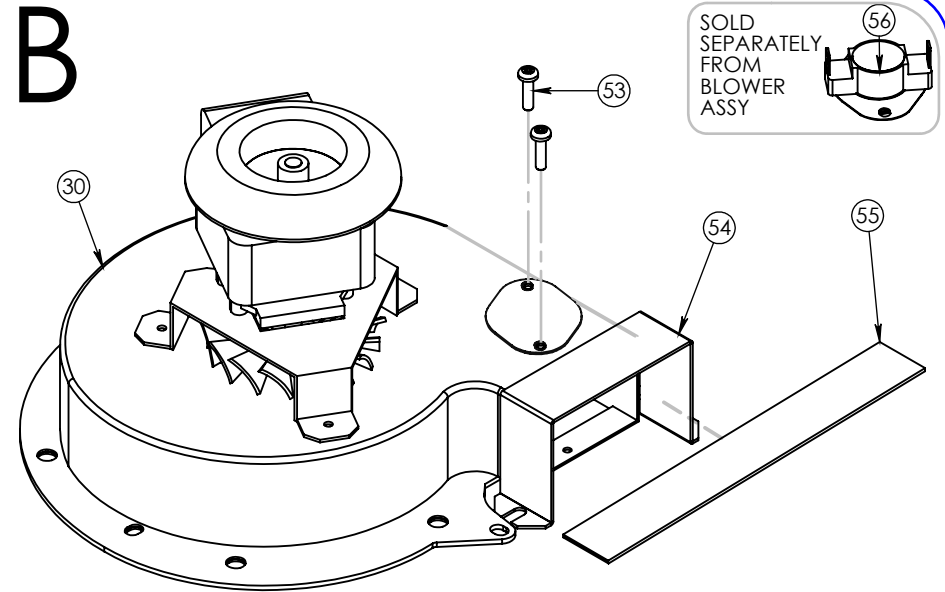


DRAWING #: <b>PHTT-6</b>	
DESCRIPTION: <b>UNIVERSAL PRECISE HUMIDITY</b>	
DRAWN BY: DP	LAST SAVED BY: andrew82

# A

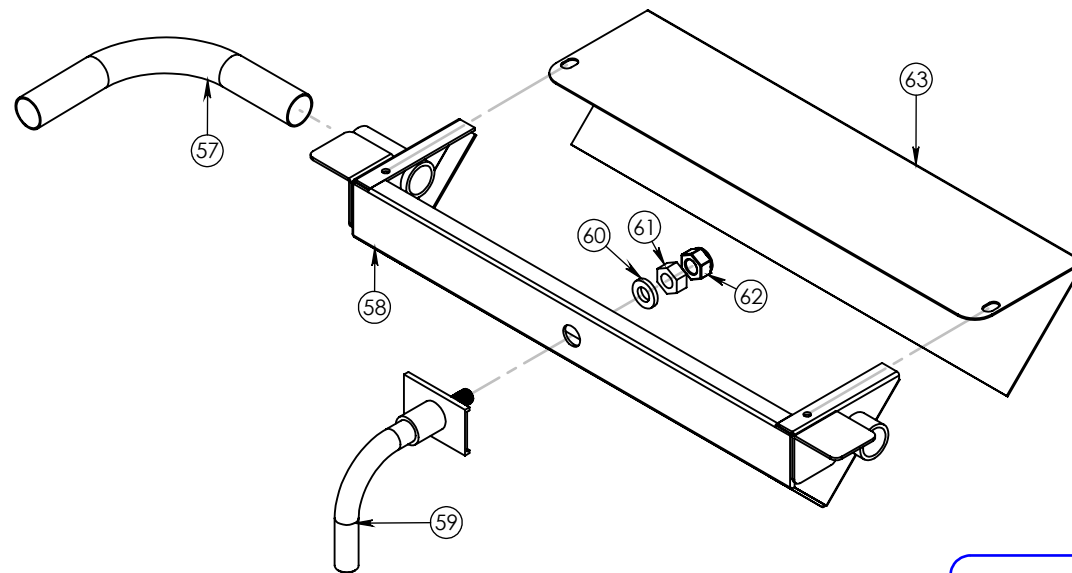


# B



SOLD SEPARATELY FROM BLOWER ASSY

# C



DRAWING #: <b>PHTT-4</b>	
DESCRIPTION: <b>UNIVERSAL PRECISE HUMIDITY</b>	
DRAWN BY: A. LINCOLN	LAST SAVED BY: andrew82

ITEM NO.	QTY.	PART NO.	DESCRIPTION			
1	1	CRDSET20-115	CORD 12' 115 VOLT 5-20P 12GA 3 WIRE	33	1	68518 PHTT SAFETY SWITCH MOUNT BRKT
2	1	BSH STRN 4	STRAIN RELIEF FOR 20 AMP CORD	34	1	SWH LIMIT COMPACT LIMIT SWITCH
3	1	53518	PHTT CORD BRKT 3 POS CORD	35	1	53498 PHTT BOTTOM ELECTRICAL BOX COVER
4	1	FAN PHTT 115	115V FAN,80 X 80 X 38MM	36	1	54955 PHTT SIDE ACCESS PANEL
5	1	GRD FAN	FAN GUARD	37	1	PLG 1 3-4 PLUG HOLE 1-3/4" HOLE, BLK
6	1	54611	SINGLE ELEMENT MOUNTING PLATE	38	2	KNB PHTT KNOB, DIMPLE TURN
7	1	EL2000-120-HT SCREW LUG	ELEMENT 2000 WATT 120 VOLT	39	1	SWH RCK E1 SWITCH NON-LT ROCKER 125/250V 20AMP
8	1	SNAP DISC 210-250	HI-LIMIT SWITCH NC	40	1	CNTRL PNL PHT OVERLAY FOR CLYMATE IQ (PHTT)
9	1	TRNS-240-120-40VA	TRANSFORMER 240V-120V 40 VA	41	1	58061 PHTT CONTROL PANEL TILTED UP
10	2	PL FLSH BLK ABS	PULL BLACK ABS 5.01	42	1	80030 CNTRL PANEL PRECISE HUMITEMP
11	2	CSTR 52-R-PPF	CASTER 5" RIGID EZ ROLL POLY	43	1	CNTRL BRD-PHTT STD CONTROL BOARD FOR STANDARD PHTT
12	4	53689	PHTT-6 UPRIGHT	44	1	27880 PHTT OUTSIDE TOP REINFORCED
13	1	69043	PHTT-6 SUPPLY TUNNEL	45	1	53211 PHTT BLOWER INSUL COVER
14	12	SLD-UHS245-SS	TRAY SLIDE STAINLESS STEEL UHS	46	1	54707 TOP BLOWER ACCESS PLATE
15	2	CSTR 52-SB-PPF	CASTER 5" SWIVEL BRAKE EZ ROLL POLY	47	1	54706 PHTT TOP ELEM HOUSING INSUL HOLDER
16	1	54241	PHTT WATER PAN SLIDE BRKT	48	3	CONTACT-2 POLE-120V-40AMP CONTACTOR RELAY 2-POLE 120V 40A
17	1	WATER-PAN-20-12-4	FULL SIZE SS PAN 4" DEEP	49	1	RLY 30AMP DPDT 30AMP PANEL MOUNT RELAY,2 POLE 120V
18	1	Z-301-5499 (INCLUDE PART 19-21)	PHTT-6 DOOR ASSY SC-EDG/MAG RH-FR	50	1	Z-600-3850 PHTT SENSOR NOT PROBE
19	2	HNG 1216	HINGE NON-RISE ADJ 1-1/8 OFFSET	51	2	GRMT-HT-3-16 SILICONE GROMMET 3/16ID X 7/16OD
20	2	HNG 1216 SPRING KIT	SPRING KIT FOR 1216 HINGE	52	1	THERMISTOR-PROBE THERMISTOR PROBE NTC
21	1	LTH MAG OFFSET HNDL	CHROME MAGNETIC LATCH,OFFSET HANDLE	53	2	S8-32X10 CTS SCRW 8-32x5/8 PH CUT 410
22	1	EL2000-120PHTT-2.5	ELEMENT 2000W 120V FOR 2.5" PAN	54	1	59672 BAY BLOWER END SEAL CAP
23	1	66113	PHTT- DRIP TROUGH PRSS GSKT	55	1	GSKT 1MCS GSKT 1MCS @ 7"
24	1	54327	PHTT DRIP PAN	56	1	SNAP DISC 150-130 COOL DOWN SNAP DISC F150 OPEN RISE
25	1	53497	PHTT WATER PAN COVER	57	1	SLV-ACRYLIC-WHITE-7-16 @ 7" SLEEVING ACRYLIC 7/16 ID WHITE FAI
26	1	57659	PHTT BAFFLE ACCESS PLATE	58	1	56464 PHTT ELEMENT HOUSING
27	1	67771	PHTT BLOWER RETURN BAFFLE	59	1	COND PROBE 4AT CONDUCTIVE PROBE 3.75" ANTI-TWIST
28	1	59727	PHTT BTM HEAT COVER LARGE	60	1	W1-4SLSS WASHER 1/4 MED.SPLIT LK SS
29	1	GASKET (SEE BOTTOM FOR DETAILS)	(SEE BOTTOM FOR DETAILS)	61	1	N1-4-20HXS 1/4-20 HX NUT, SS
29A	1	GSKT MAG2531	GSKT MAG 25.250 X 30.500	62	1	N1-4-20 NEUN NUT 1/4-20SS SELF LOCKING
29B	1	GSKT-D-24X29-875	SILICONE DOOR GASKET D 24.00X29.875	63	1	53358 PHTT ELEMENT MOUNTING COVER
30	1	Z-500-1009 (INCLUDE PART 53-55)	BLWR-120-60	64	1	Z-500-1010 (INCLUDE PART 59-62) FLOATBALL ELECT RET KIT SI-PHTT0001
31	1	Z-800-2042 (INCLUDE PART 50-52)	PHTT- SENSOR MOUNT PLATE ASSY			
32	1	Z-800-2108 (INCLUDE PART 57-63)	PHTT-CONDUCTIVE PROBE HOUSING ASSY			

\*UNITS WITH A SERIAL NUMBER MATCHING OR PRECEEDING 133706501 WILL RECEIVE 29(a) ALL SERIAL NUMBERS PROCEEDING 133706501 WILL RECEIVE 29(b)

IF YOU ARE UNABLE TO ACQUIRE A SERIAL NUMBER PLEASE CONTACT US FOR FURTHER ASSISTANCE IN IDENTIFYING AND PURCHASING A REPLACEMENT GASKET OR ANY OTHER QUESTIONS YOU MAY HAVE.  
PHONE: (800)-222-4393



DRAWING #: <b>PHTT-6</b>	
DESCRIPTION: <b>UNIVERSAL PRECISE HUMIDITY</b>	
DRAWN BY: DP	LAST SAVED BY: andrew82