



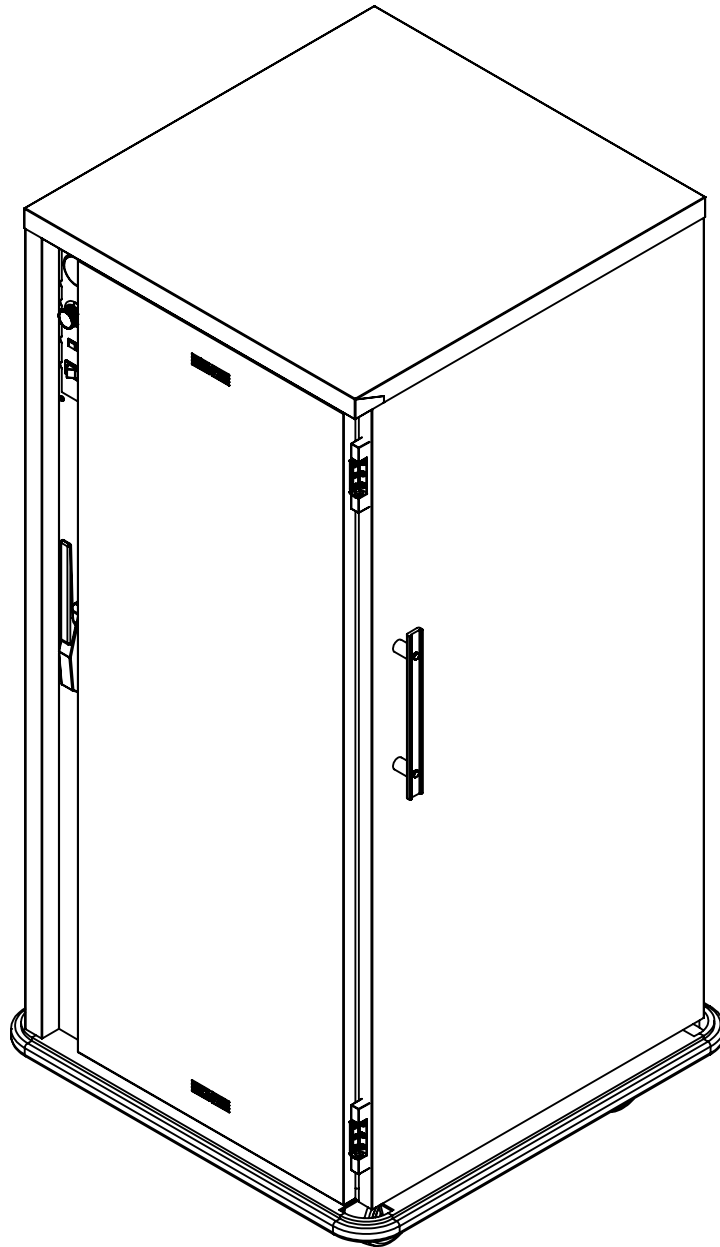
5599 Highway 31 West
Portland, TN 37148
(615)325-2774

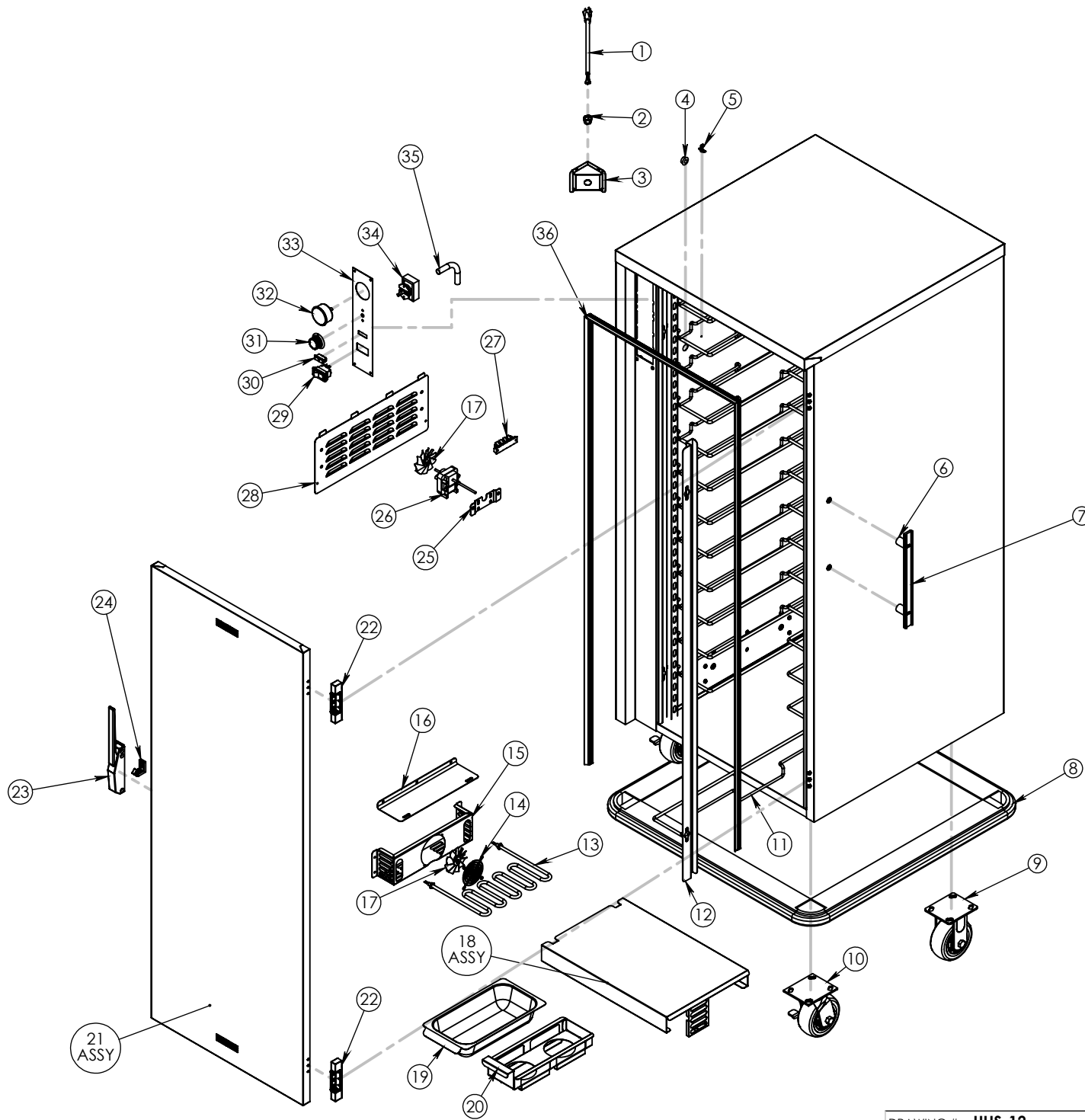
UHS-12

Pg.1 . TITLE PAGE

Pg.3 . UHS-12 BOM

Pg.2 . UHS-12





DRAWING #: UHS-12	
DESCRIPTION: UNIVERSAL SERVER	
DRAWN BY: DP	LAST SAVED BY: ashton92

ITEM NO.	QTY.	PART NO.	DESCRIPTION
1	1	CRDSET10-115	CORD 12' 115V 5-15P 14GA 3WR 15AMP
2	1	BSH STRN 3	STRAIN RELIEF FOR 15 AMP CORD
3	1	69729	HUMI TRI-CORD BRCKET DD .672X .750
4	1	PLG 3/4	PLUG HOLE WHT-2684 OD.750
5	1	CLP-AL1-4	CLAMP 1-4" ALUM
6	4	SPCR125X.330	HANDLE SPACERS FOR HDL 21 AND 12.
7	2	HDL-125-AL	HANDLE PUSH ALUMINUM 12.5" LONG
8	1	Z-200-1564	UHS-12 BUMPER ASSY
9	2	CSTR 52-R-PPF	CASTER 5" RIGID EZ ROLL POLY
10	2	CSTR 52-SB-PPF	CASTER 5" SWIVEL BRAKE EZ ROLL POLY
11	24	SLD-UHS245-SS	TRAY SLIDE STAINLESS STEEL UHS
12	4	53114	UHS-12 UPRIGHT .75 OFFSET
13	1	EL1250-120-HT	ELEMENT 1250 WATT 120 VOLT 8" HT
14	1	GRD FAN	FAN GUARD
15	1	4011	HUMITEMP BLOWER HOUSING
16	1	4041	HUMITEMP BLOWER LID
17	2	BLD FAN AL	FAN BLADE 3" ALUMINUM
18	1	Z-600-6718 (INCLUDES 19 AND 20)	UHS-12 HUMIT-TEMP STERNO HTR RH
19	1	WATER-PAN-3RD-WHDL	WATER PAN 2.5" X6.75 X
20	1	58379	STERNO DRAWER

ITEM NO.	QTY.	PART NO.	DESCRIPTION
21	1	Z-301-5256 (INCLUDES 22-24)	UHS-12 DBL-VENTED EDG/EDG RH
22	2	HNG-214	DOOR HINGE EDGEMOUNT .875"
23	1	LTH-DR	DOOR LATCH EDGEMOUNT STYLE CHROME
24	1	STK LTH 1	DOOR LATCH STRIKE FOR LTH DR
25	1	80610	BRACKET MOTOR MNT FOR BAY MTR
26	1	MTR BY120 92	MOTOR DUAL SHAFTED 120 VOLT
27	1	TRM 4QC	TERMINAL BLOCK 4QC
28	1	53454	HUMITEMP LOUVER PANEL W/TABS
29	1	SWH RCK E1	SWITCH NON-LT ROCKER 125/250V 20AMP
30	1	LT PLT A-G	INDICATOR LIGHT AMBER GREEN 125V
31	1	KNB H6	KNOB WITH ARROW
32	1	T-METER H1	THERMOMETER 100-220
33	1	CNTRL-PNL-HUMI-TEMP-AL	ALUM PANEL FOR HUMI-TEMP
34	1	T-STAT H1	THERMOMSTAT HEAT CONTRL 90-190 36"
35	1	SLV-ACRYLIC-WHITE-7-16 @ 30"	SLEEVING ACRYLIC 7/16 ID WHITE FA1
36	1	GSKT-D-29-25X23-375	SILICONE DOOR GASKET D 29.25X23.375



DRAWING #: **UHS-12**

DESCRIPTION: **UNIVERSAL SERVER**

DRAWN BY: DP

LAST SAVED BY: dplodzien